

Tine Harrow 3 Point Lift

Parts List and Assembly Instructions



OGDEN

Metalworks, Inc.

PO Box 218

Ogden, IL 61843

217-582-2552

Fax 217-582-2746

www.ogdenmetalworks.com

Safety Instructions

CAUTION!



This equipment should never be operated by anyone who is not familiar with the product and tractor and has not read the instruction manual.

Only use the proper size and strength hitch pins provided with the tractor. Failure to heed this caution could result in severe personal injury or fatality from drawbar striking operator.

Lightweight tractors may require front weights when using Lift on hilly ground. Failure to heed this caution could result in severe personal injury or fatality from tipping tractor.

Do not replace rear chain with lighter gauge chain. Chain breaking when Harrow is in lifted position could result in Harrow falling, causing injury to bystanders.

Do not use Lift for items other than Harrow. Failure to heed this caution could result in severe injury to bystander being hit by bending or fractured tubing or material being lifted.

Be certain everyone is clear when lifting or lowering Harrow. Failure to heed this caution could result in severe injury or fatality.

Do not stand under Harrow when Harrow is in the raised position. Failure to heed this caution could result in severe injury or fatality.

Be certain everyone is clear of Harrow and Lift when making turns. Harrow Lift swinging laterally could cause severe injury to bystanders.

Parts List

<i>Description</i>	<i>Harrow Sizes</i>	<i>Part Number</i>	<i>Approx. Wt. Lbs.</i>
Side Arm	6' or 8'	03-L8N	25
	10'	03-L10N	27
	12'	03-L12N	35
	14'	03-L14N	36
“A” Frame	All models	03-SFN	40
Top Link	All models	03-CLN	3
Hitch Pin	All models	02-HP	2
Pullbar	6' - 10'	03-PB	18
	12' - 14'	03-PBL	23
Pull Chain – 12 links 19 links	6' - 10'	02-PC	1
	12' - 14'	02-PCL	1
Chain Clevis	All models	02-C	1
Rear Lift Arm	6' - 8'	03-A8	16
	10'	03-A10	20
	12'	03-A12	26
	14'	03-A14	30
Lift Chain	All models	02-LC	1
Brace Arm	All models	03-BAN	3
Rear Brace	12'	03-RB12N	3
	14'	03-RB14N	3

Hardware

<i>Description</i>	<i>LN6/8</i>	<i>LN10</i>	<i>LN12</i>	<i>LN14</i>
3 Pt. Hitch Pin	2	2	2	2
3/8" x 1 1/2" Carriage Bolt	2	2	2	2
3/8" x 2 1/2" Carriage Bolt	4	5	9	9
3/8" Lockwasher	6	7	11	11
3/8" Hex Nut	6	7	11	11
3/8" x 2 1/2" Hex Capscrew			2	2
3/8" Flatwasher			2	2
1/2" x 1 1/2" Hex Capscrew	4	4	4	4
1/2" x 2 1/2" Hex Capscrew	2	2	2	2
1/2" Flatwasher	2	2	2	2
1/2" Lockwasher	4	4	4	4
1/2" Hex Nut	4	4	4	4
1/2" Locknut	2	2	2	2
5/8" x 4" Hex Capscrew	2	2	2	2
5/8" Hex Locknut	2	2	2	2
Lift Chain	6	7	9	9
Pull Chain	2	2	2	2
Chain Clevis	4	4	4	4
Top Link Pin	1	1	1	1
R Clip	1	1	1	1
Lynch Pin	2	2	2	2

Assembly Instructions

Lay Side Arms, Rear Arm and “A” Frame on ground. Bolt the Rear Lift Arm to the rear end of Side Arms with four ½” x 1 ½” hex capscrews, lockwashers and hex nuts.

The Pullbar mounts to the inside of the “A” Frame. The tabs of the Side Arms go on the outside of the “A” Frame. Insert the Hitch Pins through the Side Arms, A Frame and Pullbar. Attach with lockwasher and nut.



Attach the short chains to the Harrow Drawbar.



Bolt the Top Link to the "A" Frame using a 5/8" x 4" hex capscrew and locknut. Attach the Brace Arms the Top Link using a 5/8" x 4" hex capscrew and locknut. The locknuts must be loose enough to allow movement. Bolt the Brace Arms to the inside of the Side Arms using 1/2" x 2 1/2" hex capscrews, flatwashers and locknuts.



The 12' and 14' models have a Rear Brace that bolts to the Side Arms and Rear Arms as shown below using two 3/8" x 2 1/2" hex capscrews, lockwashers and hex nuts.

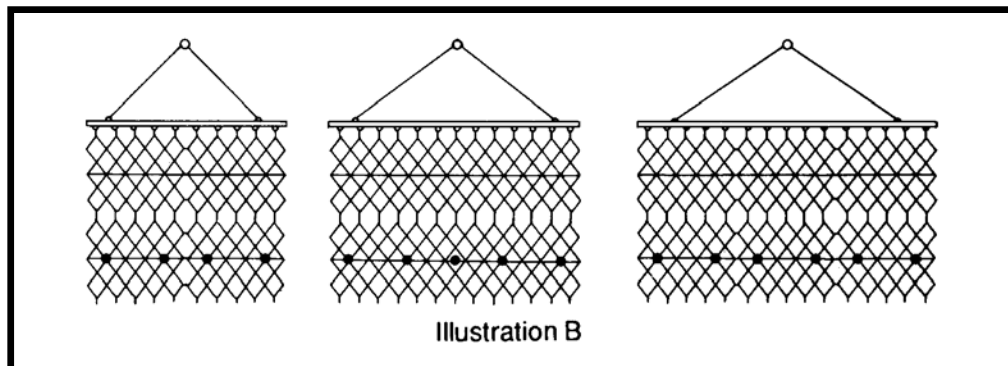


Tighten and check all bolts and nuts to secure the Lift for use.

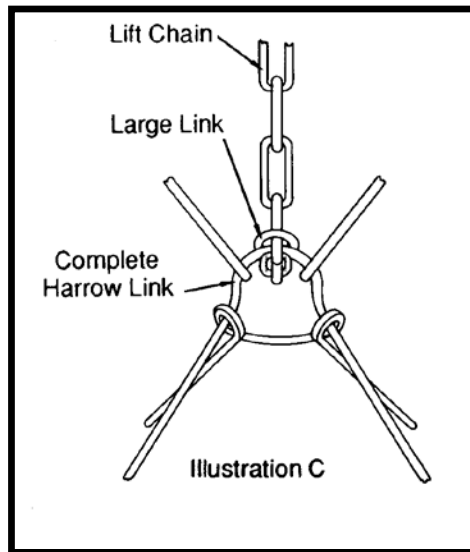
Attach the Lift to the 3 point hitch of the tractor.

Assemble the Harrow according to the Harrow assembly instructions.

Lower the Lift over the Harrow to the approximately working position. Attach the Lift Chain approximately as indicated in illustration B.



The Lift Chain has a large link on one end. Loop the small end of the Lift Chain through the Harrow and pull it through the large loop, pulling tight. *See illustration C.*



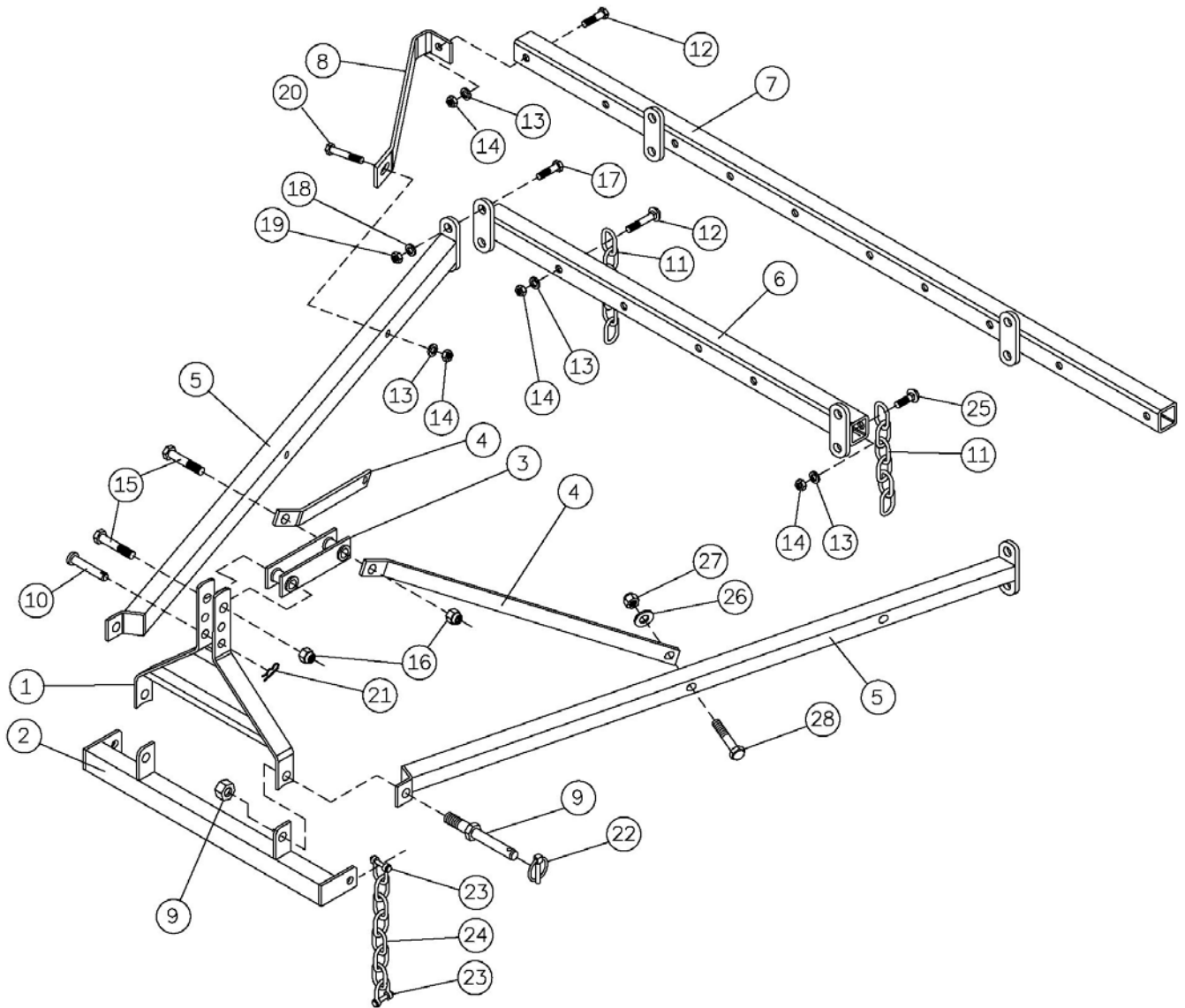
Attach the Lift Chain to the rear bar using 3/8" x 2 1/2" carriage bolts, lockwashers and hex nuts. Use the two 3/8" x 1 1/2" carriage bolts on the outside holes. Put the bolt through the chain link so that the Harrow lifts completely off the ground when the Lift is raised with the tractor 3 point hitch.

Raise and lower the Lift to assure chains are adjusted properly. It may be necessary to adjust the Chains forward or backward on the Harrow Section to keep Harrow hooked properly when in the raised position. In the working position the Harrow should pull only from the Harrow Pull Bar. The 3 Point Lift Chains are only for transport.





3 Point Flex Tine Harrow Lift



3 Point Flex Tine Harrow Lift

Item No.	Part No.	Description	LN6/8	LN10	LN12	LN14
1	03-SFN	A Frame	1	1	1	1
2	03-PB	Pullbar	1	1		
	03-PBL	Pullbar long			1	1
3	03-CLN	Top Link	1	1	1	1
4	03-BAN	Brace Arm	2	2	2	2
5	03-L8N	Side Arm	2			
	03-L10N	Side Arm		2		
	03-L12N	Side Arm			2	
	03-L14N	Side Arm				2
6	03-A8	Rear Lift Arm	1			
	03-A10	Rear Lift Arm		1		
7	03-A12	Rear Lift Arm			1	
	03-A14	Rear Lift Arm				1
8	03-RB12N	Rear Brace			2	
	03-RB14N	Rear Brace				2
9	02-HP	Hitch Pin w/Nuts	2	2	2	2
10	P116	Top Link Pin	1	1	1	1
11	02-LC	Lift Chain	6	7	9	9
12	CB38250	Carriage Bolt, 3/8" x 2 1/2"	4	5	9	9
13	K-308	Lockwasher, 3/8"	6	7	11	11
14	0-159	Hex Nut, 3/8"	6	7	11	11
15	HRH584	Hex Capscrew, 5/8" x 4"	2	2	2	2
16	HRH580	Nylock Nut, 5/8"	2	2	2	2
17	0-172	Hex Capscrew, 1/2" X 1 1/2"	4	4	4	4
18	0-173	Lockwasher, 1/2"	4	4	4	4
19	0-153	Hex Nut, 1/2"	4	4	4	4
20	HC38250	Hex Capscrew, 3/8" x 2 1/2"			2	2
21	K-232	R Clip	1	1	1	1
22	K-340	Lynch Pin	2	2	2	2
23	0-65	Chain Clevis	2	2	2	2
24	02-PC	Pullbar Chain	2	2		
	02-PCL	Pullbar Chain long			2	2
25	CB38150	Carriage Bolt, 3/8" x 1 1/2"	2	2	2	2
26	K-322	Flatwasher, 1/2"	2	2	2	2
27	0-161	Nylock Nut, 1/2"	2	2	2	2
28	HC12250	Hex Capscrew, 1/2" x 2 1/2"	2	2	2	2

