

CORE AERATOR

Model CA60 & CA72

Instruction Manual and Parts List

Use this manual for safety instructions and operating instructions.
Make sure that everyone who operates this machine has read this manual completely!
Save for future use.



OGDEN

Metalworks, Inc.
301 N. Marilyn Avenue – PO Box 128
Ogden, IL 61859
217-582-2552 – Fax 217-582-2746
www.ogdenmetalworks.com

Table of Contents

| | |
|---------------------------------|-----------|
| Introduction..... | 2 |
| Safety Instructions..... | 3 |
| Decals..... | 4 |
| Specifications..... | 5 |
| Operation..... | 6 |
| Parts List..... | 8 |
| Warranty..... | 11 |

Introduction

It is important that you thoroughly understand the operation of the Core Aerator before use. Read through this manual completely, watching especially for safety symbols (see illustration below). This safety alert symbol is used throughout this manual to identify possible safety hazards.



It is the user's responsibility to read the operator's manual and comply with all the instructions pertaining to operation and maintenance. It is also the user's responsibility to inspect the machine at regular intervals and repair or replace worn or damaged parts when continued use would cause damage or excessive wear to other parts.

The manufacturer reserves the right to make improvements, discontinue or change specifications, models or design without notice and without incurring obligation.

When ordering parts for your Core Aerator, please specify the part number and the part description as shown in the parts listing in this manual. Please give the serial number of the Core Aerator in all correspondence when referring to the Core Aerator. Record the serial number and purchase date here for future use.

Serial Number _____

Model _____ **Purchase date** _____

IMPORTANT: When this machine is traded or sold, make sure this manual accompanies the machine so future operators will have complete operating instructions and safety warnings available to them.



Safety Instructions



CAUTION: This machine should never be operated by anyone who is not familiar with the product and has not read the instruction manual.

All persons operating this machine should read and understand the Instruction Manual.

Read and understand all safety decals located on the machine.

Keep Safety Decals clean and legible at all times.

Replace Safety Decals that are missing or become illegible.

Do not allow anyone to ride on the power unit or equipment.

All bystanders should be a safe distance from the machine when in operation.

Be sure machine is attached securely to the tractor before operating or transporting.

Inspect the machine daily. Lubricate and repair or replace parts as needed.

Maintain and keep all Safety Shields in place.

Before operating the machine inspect for loose or damaged bolts or parts and make necessary repairs before starting.

Do not operate or transport on steep slopes.

Do not operate or transport equipment while under the influence of drugs or alcohol.

Never go underneath equipment unless it is properly blocked or secured.

Add weight to the front of the tractor as needed to maintain safe steering traction.

Lower attachment to the ground, apply parking brake and stop tractor engine before dismounting tractor.

Never perform service or maintenance with engine running.

Keep hands, feet and clothing away from moving parts.

Never transport faster than surface conditions allow.

Display the SMV Emblem when transporting with a tractor.

Make sure you are in compliance with all local regulations regarding transporting agriculture equipment on public roads and highways. Consult your local law enforcement agency for further details.

Ensure that the Slow Moving Emblem (SMV) and all reflectors and lights required by the local highway and transport authorities are in place and are clean and visible by overtaking and oncoming traffic.

Power unit must be equipped with ROPS or ROPS cab and seat belt. Keep seat belt securely fastened.

Always sit in the tractor seat when operating controls or starting engine.

Know and understand your controls and how to stop engine and attachment quickly.

Store implements in an area children normally do not play.

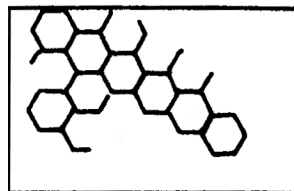
Decals

Important: Many of the following Decals are located on your Core Aerator. Before you operate the Core Aerator, read and understand the purpose for each Decal. Replace any damaged Decals. Keep all Decals clear and readable.

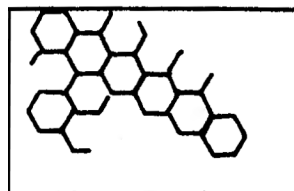
1.



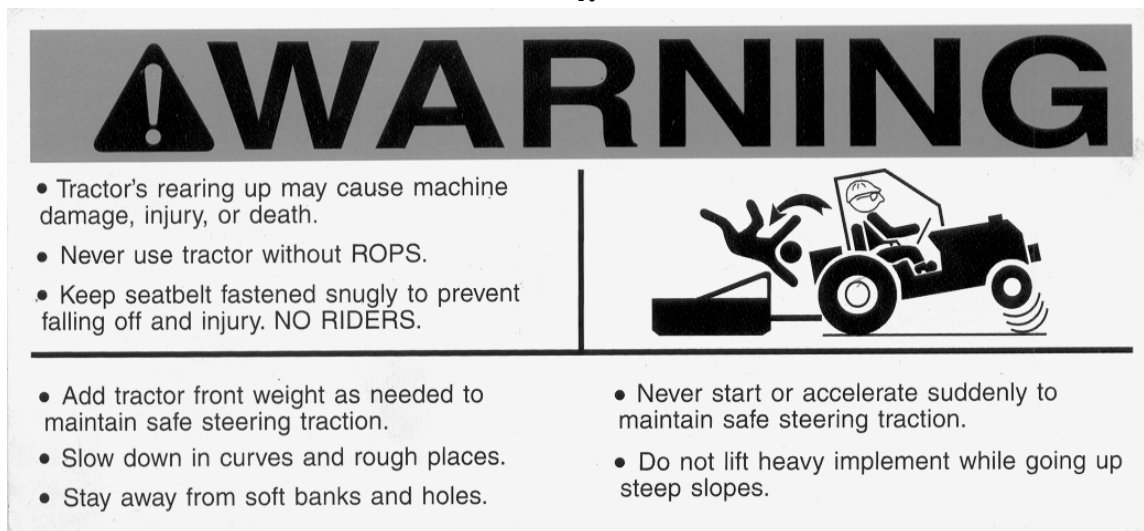
2.



3.



4.



| Item No. | Part No. | Description | Qty. |
|----------|----------|------------------------------|------|
| 1 | 51132 | Decal, Warning Operating | 1 |
| 2 | B489A | Decal, Amber Reflector | 2 |
| 3 | 0-71 | Decal, Red Reflector | 2 |
| 4 | P120 | Decal, Warning, Front Weight | 1 |

Specifications

| <i>Model</i> | <i>CA60</i> | <i>CA72</i> |
|---|--------------------|--------------------|
| Working Width | 54" | 66" |
| Overall Width | 62 1/2" | 74 1/2" |
| Approximate Weight | 410 lbs. | 492 lbs. |
| Number of Spoons | 80 | 96 |
| Number of Wheels | 10 | 12 |
| Shaft diameter | 1 1/4" | 1 1/4" |
| Bearings | Teflon Bushings | Teflon Bushings |
| Weight Trays | Optional | Optional |
| Wheel Spacing | 6" | 6" |
| Hitch | Cat I | Cat I |
| | | |
| Specifications subject to change without notice | | |

Operation

WARNING!



Tractor must be equipped with ROPS or ROPS cab and seat belt. Keep seat belt securely fastened.

WARNING!



Never allow children or untrained persons to operate equipment.

Pre-operation check list

Make sure tractor ROPS or ROPS cab and seat belt are in good condition.

Check that equipment is properly and securely attached to the power unit.

Check that all hardware is properly installed and secured.

Review all safety rules and safety decal instructions.

Check all lubrication points and lubricate as needed.

Check that tractor has sufficient front end weight for safe operation.

Attaching Soil Pulverizer to tractor

Position the Core Aerator behind the tractor on a level dry area with the parking stands down and the pins locked in place. Attach the lower 3 point lift arms of tractor to the Core Aerator lift pins. Secure with lynch pins. Attach tractor top link to Core Aerator using the pin provided. Adjustment of the top link must be made on level ground. Lower Core Aerator to the ground and extend or retract the top link to level Core Aerator. Raise and lower the Core Aerator through the tractors full lift range making sure the Core Aerator does not come in contact with any tractor component.

Adjust the lower lift arm anti-sway device on the tractor to prevent the aerator from excessive side to side movement.

WARNING!



Maintain a minimum of 20% of the tractor and equipment weight on the tractor front wheels when attachments are in the transport position. Failure to do so could cause the tractor to tip over causing personal injury or death.

General Operating Instructions

Before using the Core Aerator on any job first remove any sticks, limbs, rocks, concrete or debris from the area.

Before aerating any area that employs irrigation or uses a sprinkler system, mark sprinkler heads with flags so they can be avoided. Locate and avoid any shallow buried telephone, TV, electrical cables or gas lines.

Start in the middle of the area to be aerated and work towards the outer perimeter. This will enable you to avoid mashing freshly pulled cores.

Lower the Aerator with the 3 Point Hitch until all the weight is off of the tractor. With the 3 Point Hitch in the float position, pull ahead slowly to get the Spoons into the ground. Increase ground speed to a maximum of 5 mph. Do not turn with the Aerator in the ground. Lift the Aerator when turning and lower it after turning and realigning the tractor.

It may be necessary to add more weight or wait until after a rain or after irrigation has been done to soften the ground to achieve the desired penetration. Blocks, sand bags, bricks, etc. can be used as extra weight if fastened securely. Also weight can be added to the Aerator by installing optional water tanks.

WARNING!



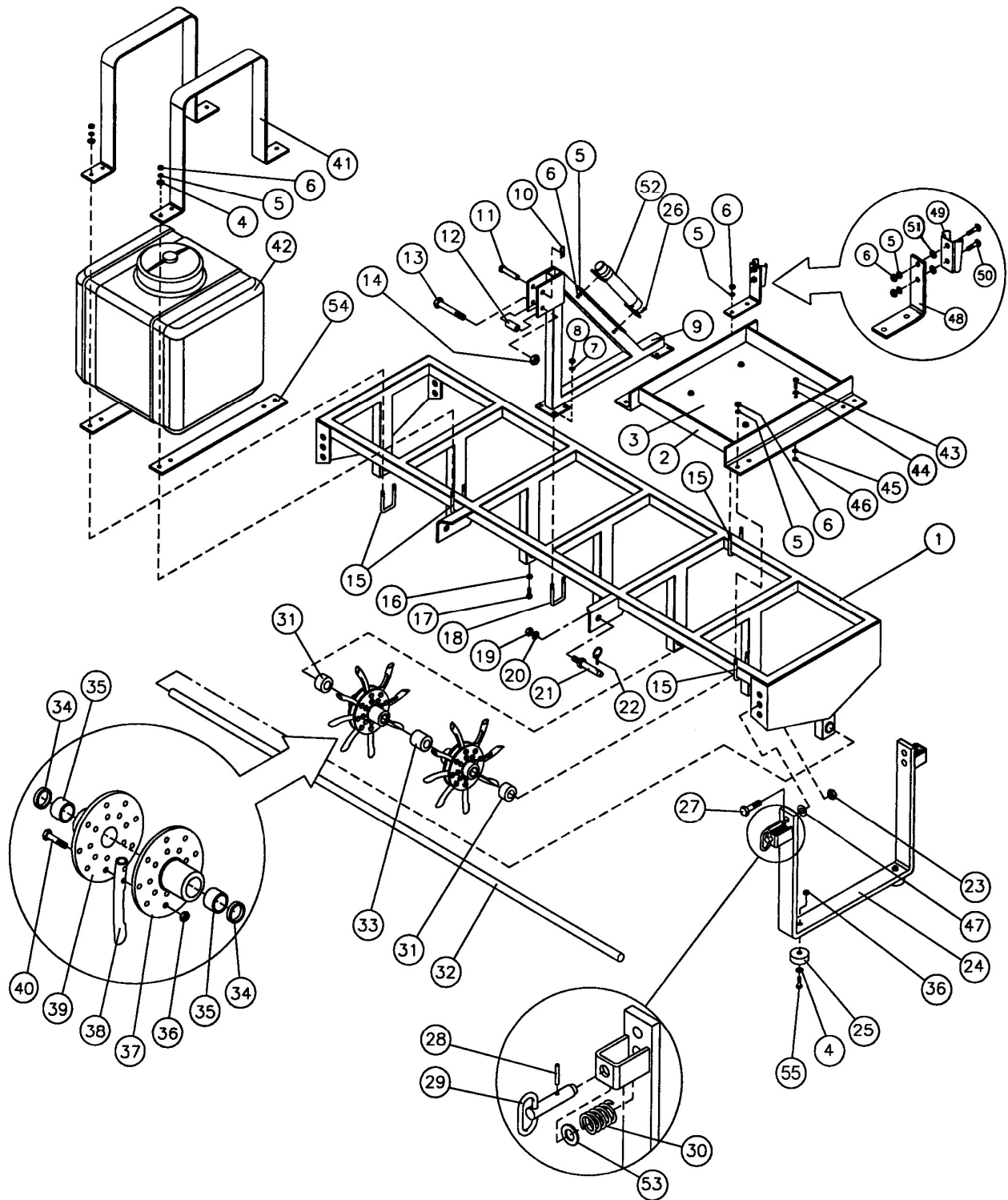
Do not allow riders for the purpose of adding extra weight. Never allow riders for any reason.

Maintenance

After the first hour of operation check to see that all hardware is secure and tighten if necessary.

After each use inspect the unit and replace any worn or damaged parts as well as any decals that are missing or not readable.

The Spoons should be cleaned immediately after each use for easier cleaning. Spoons can become plugged with dirt or debris which can be removed with a tool such as a screwdriver or hard pointed object. Clogged Spoons will reduce the efficiency of the Core Aerator.



Core Aerator Parts List

| Item No. | Part No. | Description | A160 | WT160 | A172 | WT172 |
|----------|----------|---------------------------------------|------|-------|------|-------|
| 1 | A100 | Frame Weldment, 60" | 1 | 1 | | |
| | A101 | Frame Weldment, 72" | | | 1 | 1 |
| 2 | A102 | Weight Box Frame | 2 | | 2 | |
| 3 | A103 | Plastic Sheet | 2 | | 2 | |
| 4 | MCH516F | Flatwasher, 5/16" | 20 | 20 | 20 | 20 |
| 5 | 0-176 | Lockwasher/ 5/16" | 20 | 20 | 20 | 20 |
| 6 | 0-177 | Hex Nut, 5/16" | 20 | 20 | 20 | 20 |
| 7 | 0-158 | Lockwasher, 3/8" | 8 | 8 | 8 | 8 |
| 8 | 0-159 | Hex Nut, 3/8" | 8 | 8 | 8 | 8 |
| 9 | A104 | Upper Hitch Weldment | 1 | 1 | 1 | 1 |
| 10 | K-232 | Hairpin | 1 | 1 | 1 | 1 |
| 11 | P116 | Top Link Pin | 1 | 1 | 1 | 1 |
| 12 | A105 | Bushing | 1 | 1 | 1 | 1 |
| 13 | K-318 | Hex Capscrew, 3/4" x 4" GR5 | 1 | 1 | 1 | 1 |
| 14 | K-320 | Nylock Nut, 3/4" | 1 | 1 | 1 | 1 |
| 15 | A106 | U-Bolt, 5/16"x 2"x 3" | 8 | 8 | 8 | 8 |
| 16 | 0-179 | Hex Jam Nut, 1/2" | 2 | 2 | 2 | 2 |
| 17 | 0-178 | Squarehead Setscrew, 1/2"-13 x 1 1/2" | 2 | 2 | 2 | 2 |
| 18 | A107 | U-Bolt, 3/8"x 2"x 3" | 4 | 4 | 4 | 4 |
| 19 | K-228 | Hex Nut, 7/8" | 2 | 2 | 2 | 2 |
| 20 | K-227 | Lockwasher, 7/8" | 2 | 2 | 2 | 2 |
| 21 | K-203 | Hitch Pin, Cat I | 2 | 2 | 2 | 2 |
| 22 | K-340 | Lynch Pin, 13/32" Dia. | 2 | 2 | 2 | 2 |
| 23 | MCH580 | Nylock Nut, 5/8" | 4 | 4 | 4 | 4 |
| 24 | A108 | Parking Stand | 2 | 2 | 2 | 2 |
| 25 | A109 | Rubber Bumper | 4 | 4 | 4 | 4 |
| 26 | 0-175 | Hex Capscrew, 5/16" x 1" GR5 | 4 | 4 | 4 | 4 |
| 27 | 0-156 | Hex Capscrew, 5/8" x 2" GR5 | 4 | 4 | 4 | 4 |
| 28 | A110 | Roll Pin, 5mm x 50mm | 4 | 4 | 4 | 4 |
| 29 | A111 | Pin, 5/8" | 4 | 4 | 4 | 4 |
| 30 | A112 | Spring | 4 | 4 | 4 | 4 |
| 31 | A113 | Spacer, 5/8" | 10 | 10 | 12 | 12 |
| 32 | A114 | Shaft, 1 1/4" x 62 1/2" | 1 | 1 | | |
| | A115 | Shaft, 1 1/4" x 72 1/2" | | | 1 | 1 |
| 33 | A116 | Spacer, 2" | 5 | 5 | 6 | 6 |
| 34 | A117 | Seal, 1 1/4" | 20 | 20 | 24 | 24 |
| 35 | A118 | Teflon Bushing, 1 1/4" | 20 | 20 | 24 | 24 |
| 36 | A119 | Nylock Nut, 5/16" | 160 | 160 | 192 | 192 |
| 37 | A120 | Wheel Hub | 10 | 10 | 12 | 12 |
| 38 | A121 | Spoon | 80 | 80 | 96 | 96 |
| 39 | A122 | Wheel Flange | 10 | 10 | 12 | 12 |
| 40 | A123 | Hex Capscrew, 5/16" x 2" | 160 | 160 | 192 | 192 |
| 41 | A124 | Retaining Strap | | 4 | | 4 |
| 42 | A125 | Water Tank, 26 gallon | | 2 | | 2 |
| 43 | K-334 | Hex Capscrew, 1/4" x 1" GR5 | 8 | | 8 | |
| 44 | A126 | Flatwasher, 1/4" | 8 | | 8 | |
| 45 | K-335 | Lockwasher, 1/4" | 8 | | 8 | |
| 46 | K-336 | Hex Nut, 1/4" | 8 | | 8 | |
| 47 | A127 | Machine Bushing, 5/8" x 1" 14ga. | 4 | 4 | 4 | 4 |
| 48 | A128 | SMV Mounting Bracket | 1 | 1 | 1 | 1 |
| 49 | MC117 | SMV Socket | 1 | 1 | 1 | 1 |
| 50 | K-333 | Carriage Bolt, 5/16" x 1 1/2" | 2 | 2 | 2 | 2 |
| 51 | MCH38F | Flatwasher, 3/8" | 2 | 2 | 2 | 2 |
| 52 | MHS | Manual Canister, small | 1 | 1 | 1 | 1 |
| 53 | A130 | Washer, 27mm x 17mm x 3mm | 4 | 4 | 4 | 4 |
| 54 | A129 | Tank Support | | 4 | | 4 |
| 55 | A131 | Hex Capscrew 5/16" x 1 1/2" GR5 | 4 | 4 | 4 | 4 |

Notes



Warranty Policy

Ogden Metalworks, Inc. warrants this product to be free from defects in material and or workmanship under normal use and service, when set up and operated as intended and under normal service and conditions and in accordance with the instruction manual, for one year from the date of delivery by the dealer to the original purchaser. Ogden Metalworks, Inc.'s obligation under this warranty is limited to the replacement of any part or parts which are determined defective by Ogden Metalworks, Inc. due to factory workmanship and or material. This warranty does not cover common wear items. Credit for required labor will be issued at the company's discretion.

This warranty is void on any unit which has been modified or which has been subject to misuse, negligence or accident. Ogden Metalworks, Inc., reserves the right to request the return of any part in question to be sent to the factory for inspection. All returned parts must be sent to the factory freight prepaid.

This warranty is extended solely to the original purchaser and is not transferable. This warranty is not valid unless the warranty card has been returned to Ogden Metalworks, Inc. within 30 days from the date of purchase by the end user.

Ogden Metalworks, Inc.

Ogden Metalworks, Inc. reserves the right to change specifications and dimensions without notice.

Warranty will not be valid unless card is returned

Soil Pulverizer Warranty Card

Please print **Purchased Date** _____

Name _____

Address _____

Address _____

Serial Number _____ **Model** _____

Dealer _____

Address _____

